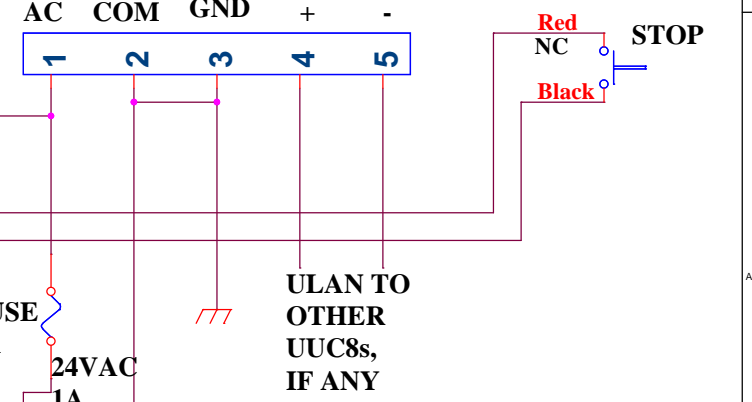
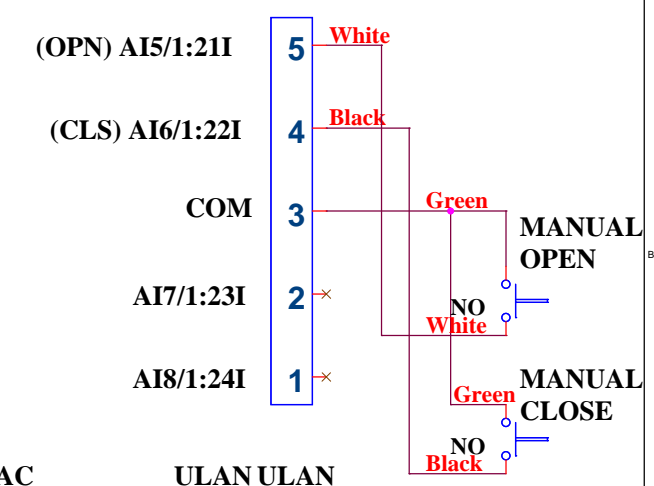
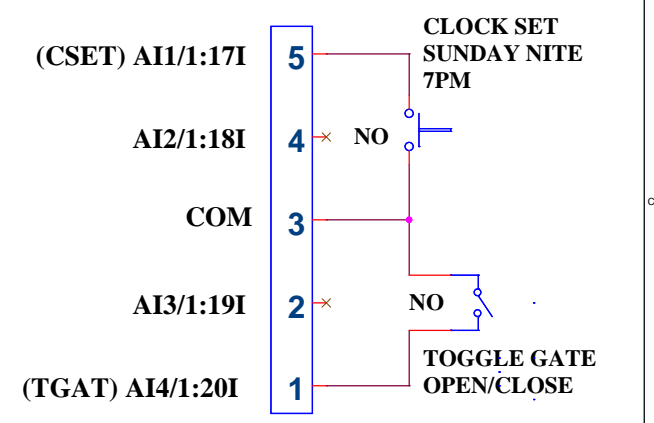
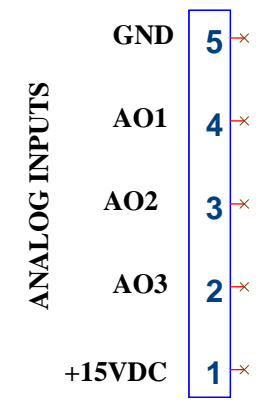
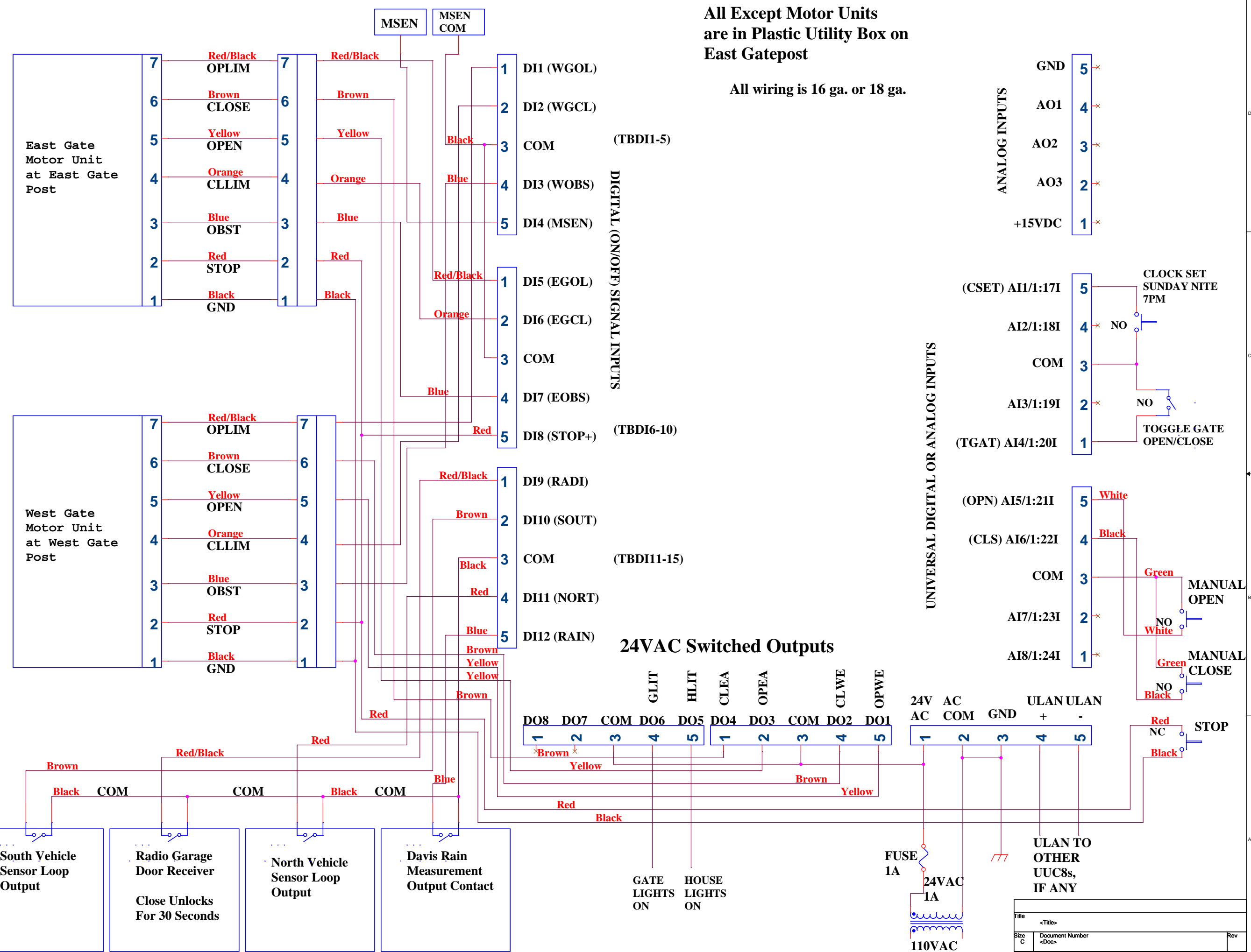


**All Except Motor Units  
are in Plastic Utility Box on  
East Gatepost**

All wiring is 16 ga. or 18 ga.



|                 |                            |
|-----------------|----------------------------|
| Title           | <Title>                    |
| Size            | C                          |
| Document Number | <Doc>                      |
| Date            | Monday, September 13, 2010 |
| Sheet           | 1 of 1                     |
| Rev             |                            |

This document was created with Win2PDF available at <http://www.win2pdf.com>.  
The unregistered version of Win2PDF is for evaluation or non-commercial use only.  
This page will not be added after purchasing Win2PDF.