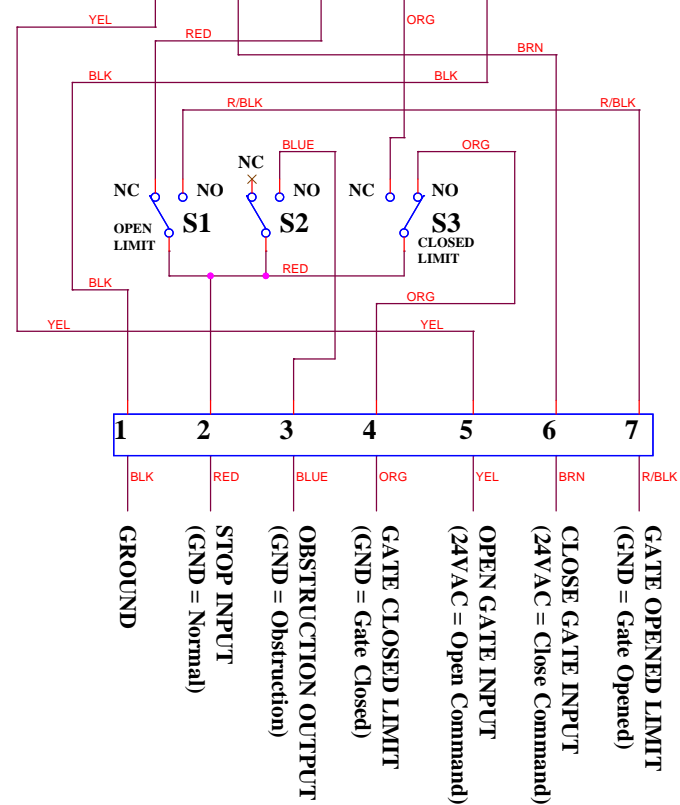


**S1 = OPEN LIMIT
(SHOWN IN CLOSED LIMIT)**

**S2 = OBSTRUCTION
(SHOWN IN NORMAL)**

**S3 = CLOSED LIMIT
(SHOWN IN GATE CLOSED POSITION)**



EDKO GATE OPERATOR NE WIRING REVISED 9/10/2010

Title <Title>		Rev <RevCode>
Size C	Document Number <Doc>	
Date: Thursday, October 07, 2010	Sheet 1 of 1	

This document was created with Win2PDF available at <http://www.win2pdf.com>.
The unregistered version of Win2PDF is for evaluation or non-commercial use only.
This page will not be added after purchasing Win2PDF.